

INSTALLATION INSTRUCTIONS FOR THE MURAKAMI MANUAL DIM REAR VIEW MIRROR



This mount was designed for the **Murakami** manual dim rear view mirror. It is easy to identify as it has a “chili pepper” shaped stem. This mirror is found in many Japanese vehicles.



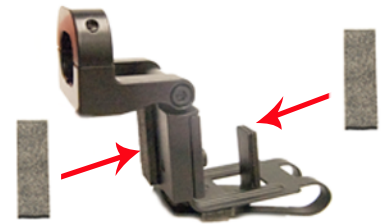
1 - Install and remove your radar detector (RD) onto the mount before installing it on the rear view mirror so you can observe how the spring clip functions. To release tension from the spring clip, simply squeeze the release tab and the back side of the mount together as shown above. This will lower the bottom portion of the spring clip allowing you to slide the RD on and off the mount. To install the RD, squeeze the release tab and slide the clip into the RD until it locks into position. To remove the RD, squeeze the release tab with one hand and press the RD release button with the other hand. Once the RD slides about 1/8” you can let go of the RD release button and slide the RD off of the spring clip. When used properly, the spring clip avoids putting excessive pressure on the mirror stem when installing and removing the RD.



2 - Remove the two socket head screws so the top portion of the mount may be removed. Position the mount on the bottom of the stem as shown above. The edge of the mount needs to be where the tapered part of the stem gets smaller. Reattach the top portion of the mount. Tighten both screws evenly and just before the mount starts to clamp onto the stem, make sure it is in the correct position as indicated by the red arrows. Proceed to tighten both screws until mount is securely attached to the mirror stem.



3 - Install the RD onto the mount. Make the necessary adjustments as shown below. We recommend you adjust the RD so it is as close to the bottom of the mirror as possible. Using the vertical adjustment, adjust upward as far as possible while making sure the mirror dimming switch is still accessible. After all adjustments are made, be sure to check that the hinge pivot and vertical adjustment screws are tight. Grab the long arm of the allen wrench to assure that these screws are securely tightened.



4 - This mount can get extremely hot when setting in the direct sunlight, especially with the windows rolled up. If you intend to remove your RD frequently, we strongly recommend that you install the 3/32” thick touch strips which will not get as hot as the metal of the mount will. Place these strips where your two fingers make contact with the mount. They may be trimmed with a blade or knife.

CAUTION

DO NOT use this mount if it interferes with the adjustability or the operation of your rear view mirror in any way.

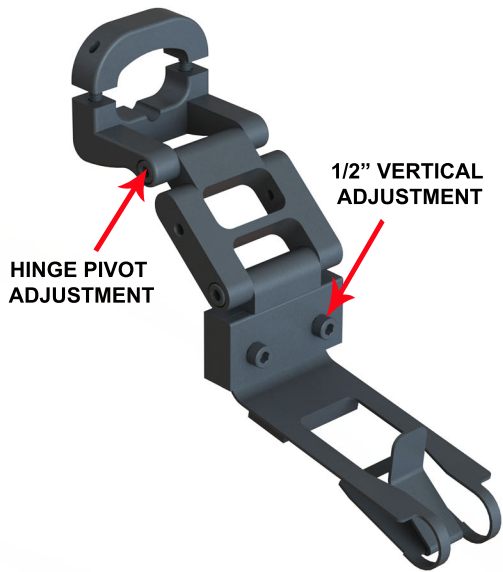
DO NOT use this mount if the radar detector creates an unsafe viewing obstruction.

DO NOT ATTEMPT TO MODIFY THIS PRODUCT. Consult the manufacturer for assistance.

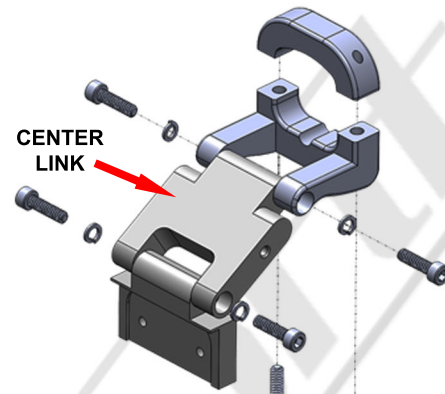
All BlendMount products are accompanied with detailed installation instructions and adjustment tips. You are encouraged to contact customerservice@blendmount.com or call J28 Design at 1-707-664-8234 for further assistance.

Check the BlendMount Forum for installation tips and some vehicle specific installs. Your feedback is very important to us. Please email any questions or comments you have to customerservice@blendmount.com

www.blendmount.com



BLENDMOUNT CENTER LINK



5 - The center-link may be removed if an overall shorter mount length is needed, depending on your rear view mirror and desired position for the RD. With multiple adjustments available, you should be able to position your RD right where you want it. If you are unable to achieve this, be sure to contact us at 1-707-664-8234



6 - If the RD is too close to the bottom of the mirror, You may access the buttons on top of the RD by gently pushing downward on the front of the RD with one finger and push the desired button with another finger. Then allow the RD to return to it's original position by gently letting it spring upward. When accessing the buttons, be sure to push the RD downward just enough for your finger to fit between the RD and mirror. **Do not push down more than what is needed.**



SCAN THE QR CODE WITH YOUR SMART PHONE TO VIEW INSTALL VIDEOS

NOTE : This mount can get extremely hot when sitting in direct sunlight. If you intend to remove your RD frequently, you may want to install the two gray "TOUCH STRIPS" included in the tool kit. Place them where your fingers make contact with the mount. They may be trimmed with a blade or knife.

CAUTION

DO NOT use this mount if it interferes with the adjustability or the operation of your rear view mirror in any way.

DO NOT use this mount if the radar detector creates an unsafe viewing obstruction.

DO NOT ATTEMPT TO MODIFY THIS PRODUCT. Consult the manufacturer for assistance.

All BlendMount products are accompanied with detailed installation instructions and adjustment tips. You are encouraged to contact customerservice@blendmount.com or call J28 Design at 1-888-497-8388 for further assistance.

Check the BlendMount Forum for installation tips and some vehicle specific installs.
www.blendmount.com

Your feedback is very important to us. Please email any questions or comments you have to customerservice@blendmount.com

